

CVB20LR

50's Retro style

50's Style Freezer, Red,
Left hand hinge
Energy efficiency class: A+

EAN13: 8017709120382

Gross Capacity: 197 litres

Energy consumption: 223 kWh/year

Climatic class: SN-ST

Freezing capacity: 20 kg/24h

Thaw time: 23h

Acoustic alarm

Freezer: ****

Frozen food capacity: 170 litres

Fast freezing button

2 ice cube trays

3 transparent drawers

2 transparent flaps

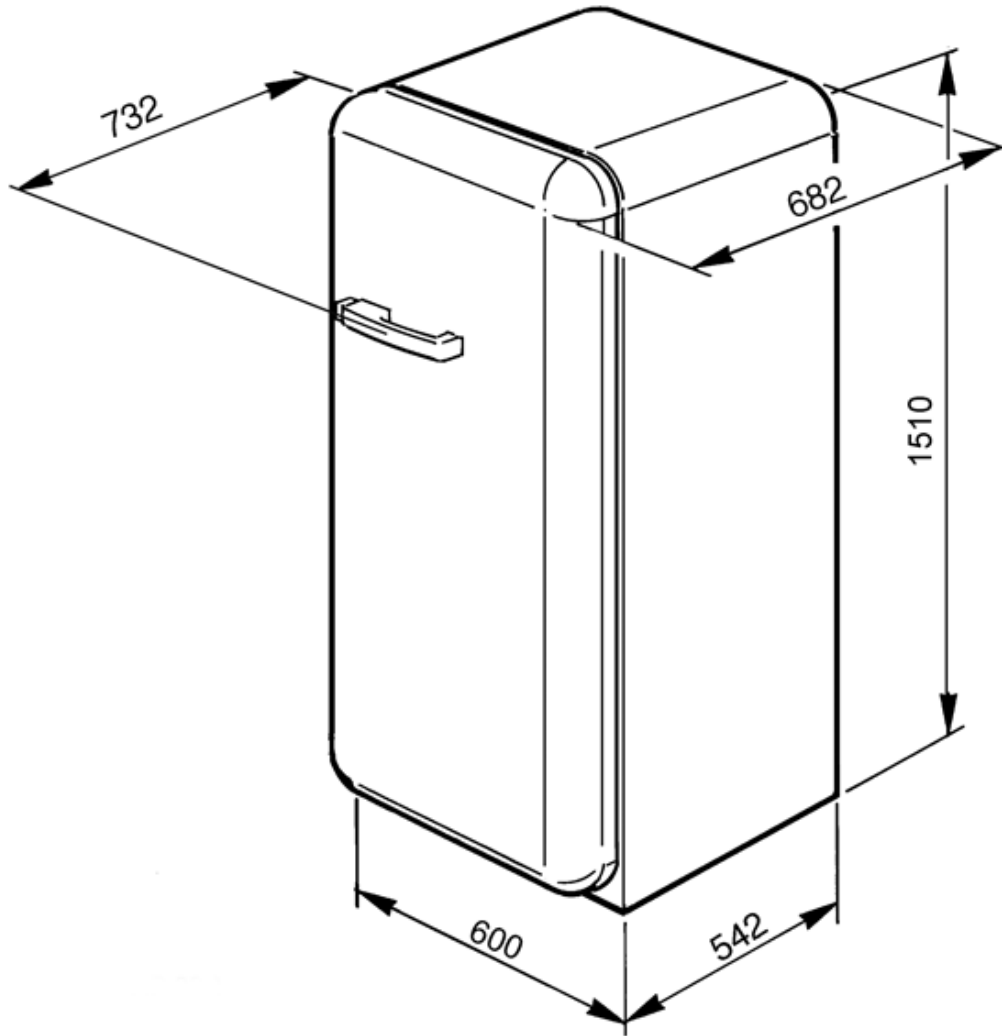
Whereas every effort has been made to ensure that colors are matched, these may appear differently under various lighting conditions.





CVB20LR

50's Retro style
freezer
free standing
50's retro style
red
60 cm
energy rating A+



Smeg S.p.A.
Via Leonardo da Vinci, 4
42016 Guastalla (RE)
Tel. 0522 821 1