

LVFABCR

50's Retro style

60cm 50's Style Vintage Cream
Retro Dishwasher
Energy Rating: A+++

EAN13: 8017709232122

Programs / Functions

13 Place Settings

10 wash programmes (including 5 quick programmes)

Washing temperatures: 38°, 45°, 50°, 65°, 70° C

Soak, Crystal, ECO, Speed 27 min, ECO Quick, Delicate and Quick, Normal Quick, Auto 45-65, Strong and fast, Ultraclean

Options

Energy saving option EnerSave: A+++

Delay timer option: Up to 9 hours, with automatic soak

Varied distribution 1/2 load option FlexiZone, FlexiTabs and Quick Time option

Baskets

Basket colour: Stainless Steel

Basket components colour: Matching the external aesthetic

Handle: On upper and lower basket

Upper Basket: With central fixed racks

Height adjustment of the upper basket: On three horizontal

levels

Upper basket with EasyGlide System

Lower Basket: With double foldable rack

Technical Features

Controls: Electronic

Display: Delayed start

Salt and rinse aid indicator: light

End of cycle indicator: Acoustic signal

Washing system: Orbital

Third spray arm: Single

Water softner: With electronic setting



Turbidity sensor Aquatest

Water protection system: Total Acquastop

Water alimentation: Single; cold/hot water max. 60°
C -

energysave with hot water up to 35%

Drying system: Natural condenser drying, with
EnerSave

Automatic door opening system at the end of the
cycle

Tub and filter material: Stainless steel

Hinges: Self balancing with fixed fulcrum

Adjustable feet: Just for a level adjustment

Performance / Energy Label

Energy consumption per cycle (kWh/ciclo): 0.81
kWh

Water consumption per cycle (l/cycle): 8.5 l

Annual energy consumption: 230 kWh

Annual water consumption: 2380 l

Reference programme: ECO

Total cycle time of reference programme (min): 150
min

Energy consumption - stand by off mode: 0.02 W

Energy consumption - stand by on mode: 0.80 W

Duration of the stand by on mode (min): 5 min

Electrical Connection

Nominal power: 1800 W

Current: 10 A

Voltage: 220-230 V

Frequency: 50 Hz

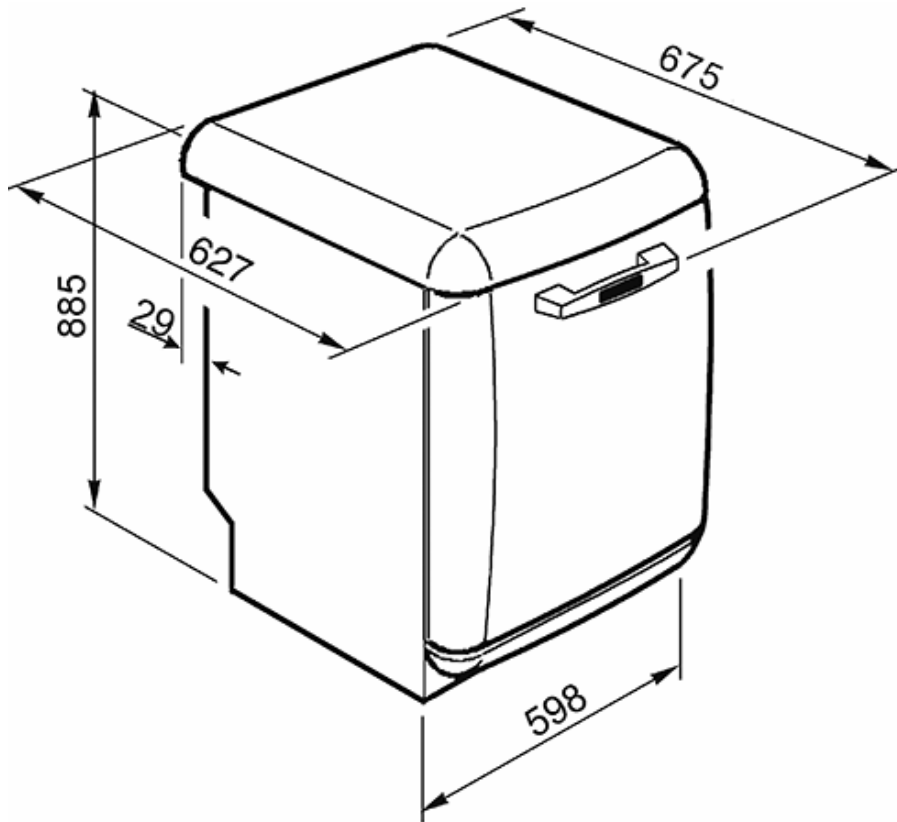
Plug type: Schuko



LVFABCR

50's Retro style

free standing
free standing
60 cm
cream
orbital spray system
energy rating A+++



Smeg S.p.A.
Via Leonardo da Vinci, 4
42016 Guastalla (RE)
Tel. 0522 821 1