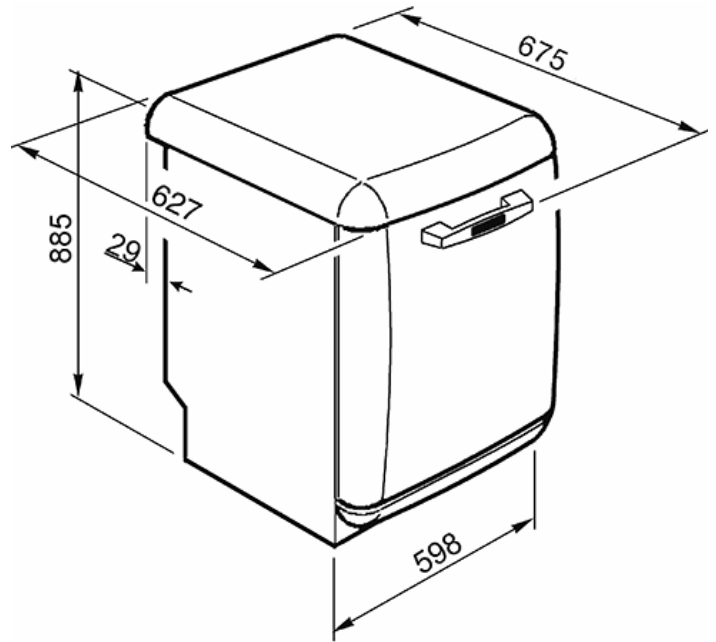


60cm 50's Style Vintage Cream Retro Dishwasher
Energy Rating: A+++
EAN13: 8017709232122



• **Programs / Functions** • 13 Place Settings • 10 wash programmes (including 5 quick programmes) • Washing temperatures: 38°, 45°, 50°, 65°, 70° C • Soak, Crystal, ECO, Speed 27 min, ECO Quick, Delicate and Quick, Normal Quick, Auto 45-65, Strong and fast, Ultraclean • **Options** • Energy saving option EnerSave: A+++ • Delay timer option: Up to 9 hours, with automatic soak • Varied distribution 1/2 load option FlexiZone, FlexiTabs and Quick Time option • **Baskets** • Basket colour: Stainless Steel • Basket components colour: Matching the external aesthetic • Handle: On upper and lower basket • Upper Basket: With central fixed racks • Height adjustment of the upper basket: On three horizontal • levels • Upper basket with EasyGlide System • Lower Basket: With double foldable rack • **Technical Features** • Controls: Electronic • Display: Delayed start • Salt and rinse aid indicator: light • End of cycle indicator: Acoustic signal • Washing system: Orbital • Third spray arm: Single • Water softner: With electronic setting • Turbidity sensor Aquatest • Water protection system: Total Acquastop • Water alimentation: Single; cold/hot water max. 60°C - • energysave with hot water up to 35% • Drying system: Natural condenser drying, with EnerSave • Automatic door opening system at the end of the cycle • Tub and filter material: Stainless steel • Hinges: Self balancing with fixed fulcrum • Adjustable feet: Just for a level adjustment • **Performance / Energy Label** • Energy consumption per cycle (kWh/ciclo): 0.81 kWh • Water consumption per cycle (l/cycle): 8.5 l • Annual energy consumption: 230 kWh • Annual water consumption: 2380 l • Reference programme: ECO • Total cycle time of reference programme (min): 150 min • Energy consumption - stand by off mode: 0.02 W • Energy consumption - stand by on mode: 0.80 W • Duration of the stand by on mode (min): 5 min • **Electrical Connection** • Nominal power: 1800 W • Current: 10 A • Voltage: 220-230 V • Frequency: 50 Hz • Plug type: Schuko